

## EXAMPLE LOUVRE FINISHED FRAME SIZE

$$\begin{aligned} \text{LOUVRE AREA} &= 1.963 \text{ (High)} \times 1.750 \text{ (Wide)} \\ &= 3.435\text{m}^2 \end{aligned}$$

## GAP BETWEEN BLADES

$$= 23.58\text{mm}$$

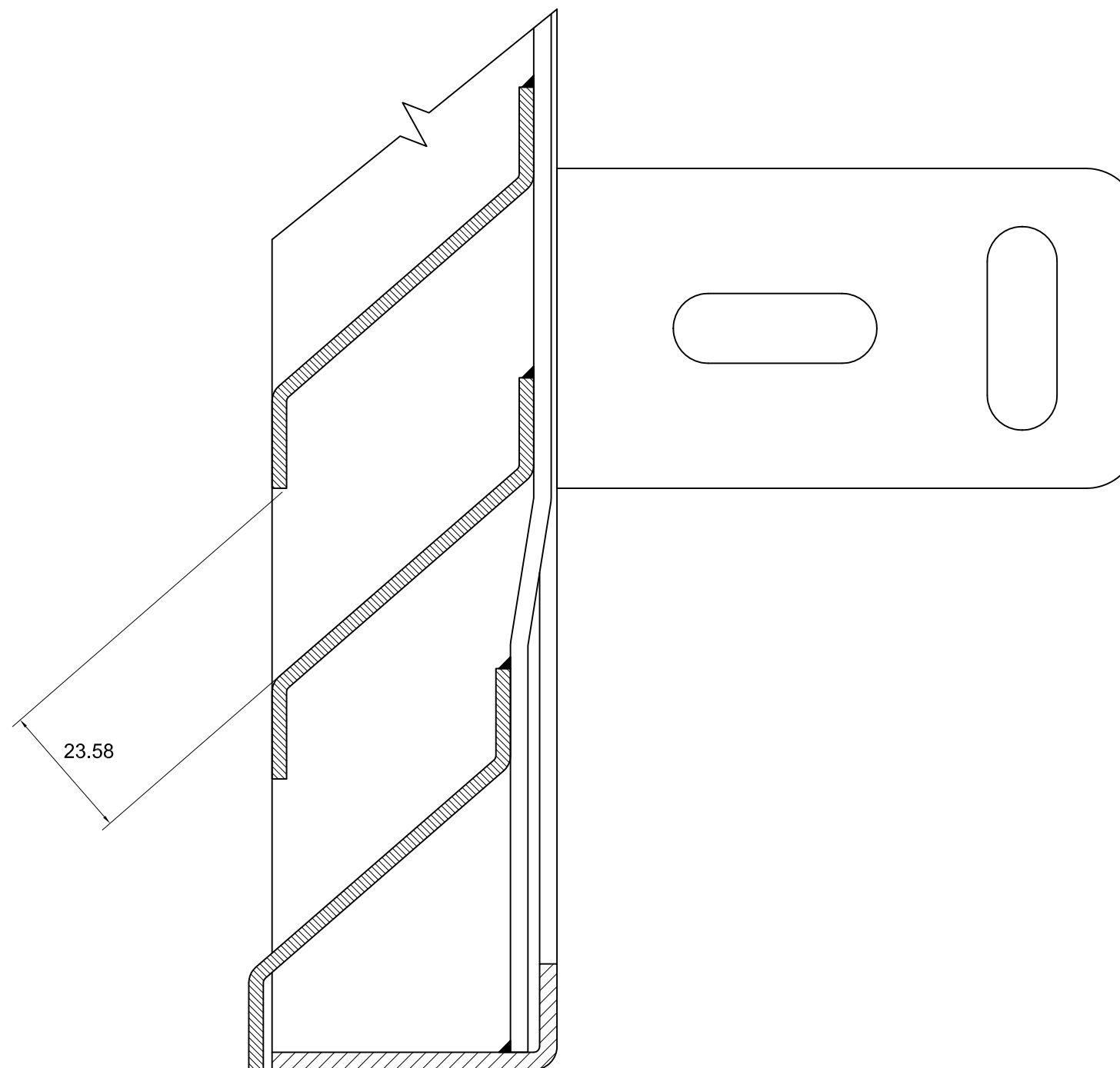
THEREFORE FREE AIR = 39 Blades = 38 Gaps

THEREFORE FREE AIR = 38 @ 0.02358m x 1.75m

$$= 1.568\text{m}^2$$

$$\% = \frac{1.568}{\text{Total Area} = 3.435} \times 100$$

$$= 45.65\%$$

**NOTES:**

THE FREE AIR FIGURE IS CONSTANT

THE FREE AIR FIGURE DOES NOT INCLUDE THE ANTI-VERMIN MESH

THE FREE AIR FIGURE APPLIES TO:

SUNRAY LOUVRES  
LOUVRE DOORS  
STACKABLE LOUVRE SYSTEM

**SUNRAY ENGINEERING LIMITED**

Kingsnorth Industrial Estate, Wotton Road, Ashford, Kent. TN23 6LL  
Tel: 01233 639039. Fax: 01233 625137.  
www.sunraydoors.co.uk

## LOUVRE FREE AIR CALCULATION

DRAWN BY G.C.J.	APPROVED BY	DRAWING NUMBER STL/1001	ISSUE 1
SCALE 1:1 @ A3		DATE 19.05.10	SHEET 1 of 1

ISSUE	BY	DESCRIPTION	DATE	APPROVED
A	G.J.	Original.	19.05.10	
REVISIONS				